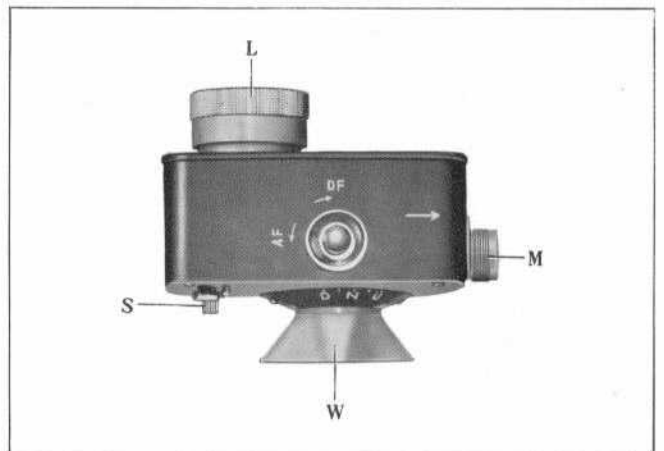
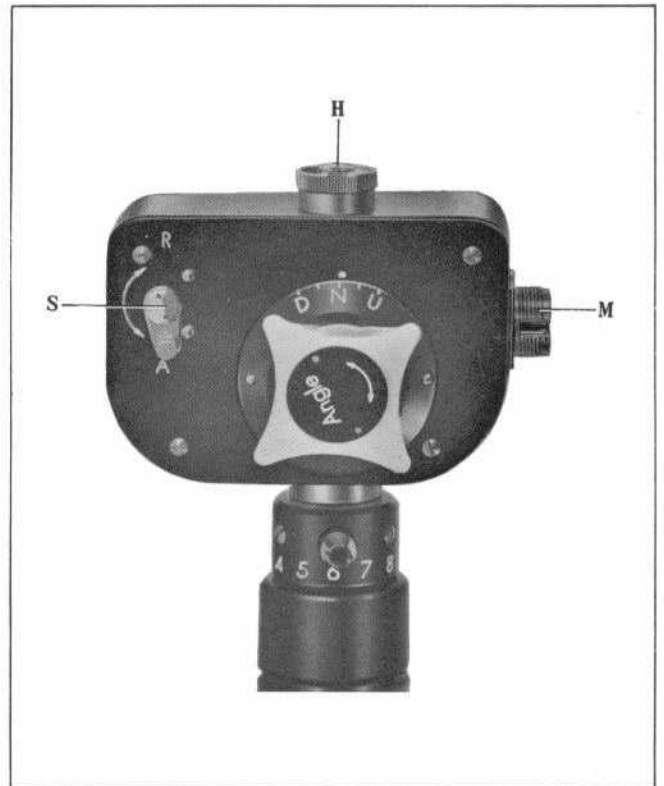
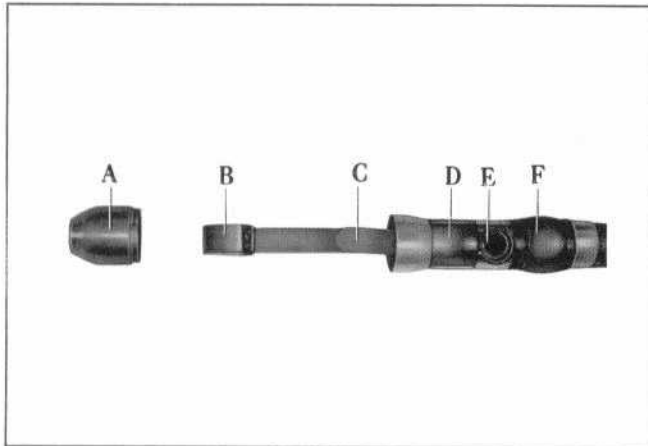


THE GASTRO CAMERA



FIGURES 2, 3, 4 and 5.—The standard camera.

- A. Metal cap. Note perforations at tip for air.
- B. Cassette containing film.
- C. Metal film leader.
- D. Lamp.
- E. Lens.
- F. Rubber covered hinge joint.

- H. Push exposure button—note AF, DF positions.
- L. Film winding knob.
- M. Socket for electrical lead.
- S. A-R lever.
- W. Tilt knob.

The air intake tube is seen in Figure 4 at the base of the camera between numbers 5 and 7. The film number indicator is seen in Figure 3 just to the left of the serial number of the camera.